



**HIGH-EFFICIENCY  
CAST IRON BOILER**

# WTGO

Provides space and domestic hot water heating.

**APPLICATIONS INCLUDE:**

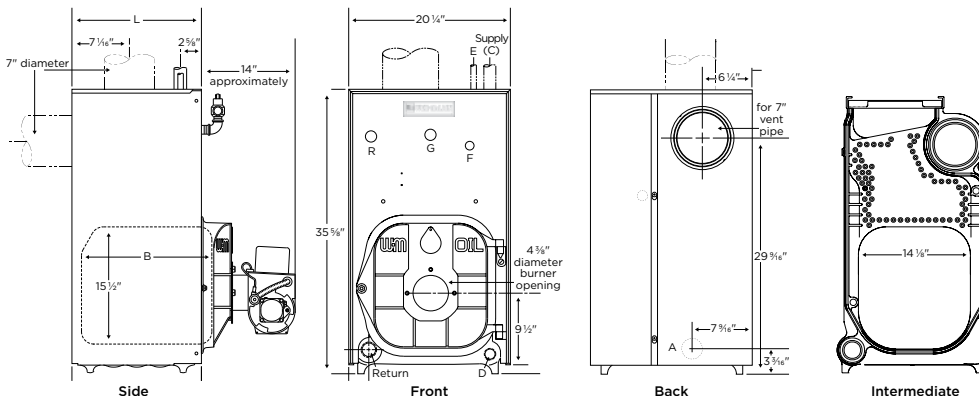
- Residential
- Light Commercial
- Multiple Boilers
- Indirect-fired Water Heating
- Radiant Heating

†ENERGY STAR<sup>®</sup> requires a minimum of 87% AFUE, which is only achieved by reducing the burner rate and installing the specified optional vent damper kit. See Ratings chart on next page.



†Model Dependent

# DIMENSIONS



| Tapping Location | Size (in.) | Control Tappings   |
|------------------|------------|--|
| A                | 1 1/2      | Alternative return — semi-packaged & knocked-down units only |
| G                | 1/4        | Pressure/temperature gauge                                   |
| D                | 3/4        | Drain valve  |
| F                | 3/4        | High limit/circulator control                                |
| E                | 1/2        | Piping to expansion tank or automatic air vent               |
| R                | 3/4        | Relief valve   |

| Boiler Size | Supply C (in.)                               |                              | Return (in.) | Dimension (in.) |        | Tankless Heater |                            |                          |
|-------------|--|------------------------------|--------------|-----------------|--------|-----------------|----------------------------|--------------------------|
|             | Packaged with Circulator (circulator flange) | Semi-Packaged & Knocked-Down |              | B               | L      | Number          | Inlet & Outlet (NPT) (in.) | Temp Control (NPT) (in.) |
| WTGO-3      | 1/4  | 1 1/2                        | 1 1/2        | 13 1/2          | 16 7/8 | WT-14           | 1/2                        | 3/4                      |
| WTGO-3L     | 1/4  | 1 1/2                        | 1 1/2        | 10 1/2          | 13 3/4 | WT-14           | 1/2                        | 3/4                      |
| WTGO-4      | 1/4  | 1 1/2                        | 1 1/2        | 13 5/8          | 16 7/8 | WT-14           | 1/2                        | 3/4                      |
| WTGO-5      | 1/4  | 1 1/2                        | 1 1/2        | 16 7/8          | 20     | WT-14           | 1/2                        | 3/4                      |
| WTGO-6      | 1/4  | 1 1/2                        | 1 1/2        | 20              | 22 1/8 | WT-14           | 1/2                        | 3/4                      |
| WTGO-7      | not applicable                               | 1 1/2                        | 1 1/2        | 23 1/8          | 26 1/4 | WT-20           | 1/2                        | 3/4                      |
| WTGO-8      | not applicable                               | 1 1/2                        | 1 1/2        | 26 1/4          | 29 3/8 | WT-20           | 1/2                        | 3/4                      |
| WTGO-9      | not applicable                               | 1 1/2                        | 1 1/2        | 29 3/8          | 32 1/2 | WT-20           | 1/2                        | 3/4                      |

# RATINGS

| ENERGY STAR <sup>®</sup> | Model <sup>4</sup> | Burner Input Rating |                  | AHRI Certified Ratings                |                                  |      | Tankless Heater Intermittent Draw Rating <sup>10</sup> | Draft Loss Through Boiler (in. w/c) | Minimum Chimney Size |             |              | Approx. Shipping Weight (Lbs.) |
|--------------------------|--------------------|---------------------|------------------|---------------------------------------|----------------------------------|------|--|-------------------------------------|----------------------|-------------|--------------|--------------------------------|
|                          |                    | GPH <sup>5</sup>    | MBH <sup>5</sup> | Heating Capacity (MBH) <sup>7,9</sup> | Net Ratings (MBH) <sup>7,9</sup> | AFUE |  |                                     | Rectangular (in.)    | Round (in.) | Height (Ft.) |                                |
|                          | WTGO-3LR           | 0.70                | 98               | 86                                    | 75                               | 86.4 | 3.25   | .010                                | 8 x 8                | 6           | 15           | 560                            |
|                          | WTGO-3LD           | 0.95                | 133              | 115                                   | 100                              | 86.0 | 3.25   | .010                                |                      |             |              | 560                            |
|                          | WTGO-3R            | 0.80                | 112              | 98                                    | 85                               | 86.2 | 3.25   | .020                                |                      |             |              | 610                            |
| *                        | WTGO-3RD           | 0.80                | 112              | 98                                    | 85                               | 87.0 | 3.25   | .010                                |                      |             |              | 610                            |
|                          | WTGO-3D            | 0.95                | 133              | 115                                   | 100                              | 86.0 | 3.25   | .020                                |                      |             |              | 610                            |
|                          | WTGO-4R            | 1.00                | 140              | 122                                   | 106                              | 86.2 | 3.75   | .010                                |                      |             |              | 660                            |
| *                        | WTGO-4RD           | 1.00                | 140              | 123                                   | 107                              | 87.0 | 3.75   | .010                                | 660                  |             |              |                                |
|                          | WTGO-4D            | 1.20                | 168              | 146                                   | 127                              | 86.0 | 3.75   | .010                                | 660                  |             |              |                                |
|                          | WTGO-5R            | 1.20                | 168              | 147                                   | 128                              | 86.1 | 4.00   | .015                                | 775                  |             |              |                                |
| *                        | WTGO-5RD           | 1.20                | 168              | 148                                   | 129                              | 87.0 | 4.00   | .015                                | 775                  |             |              |                                |
|                          | WTGO-5D            | 1.45                | 203              | 176                                   | 153                              | 86.0 | 4.00   | .015                                | 775                  |             |              |                                |
|                          | WTGO-6R            | 1.40                | 196              | 171                                   | 149                              | 86.1 | 4.25   | .015                                | 875                  |             |              |                                |
| *                        | WTGO-6RD           | 1.40                | 196              | 173                                   | 150                              | 87.0 | 4.25   | .015                                | 875                  |             |              |                                |
|                          | WTGO-6D            | 1.75                | 245              | 213                                   | 185                              | 86.0 | 4.25   | .015                                | 875                  |             |              |                                |
|                          | WTGO-7R            | 1.60                | 224              | 196                                   | 170                              | 86.0 | 5.50   | .015                                | 930                  |             |              |                                |
| *                        | WTGO-7RD           | 1.60                | 224              | 197                                   | 171                              | 87.0 | 5.50   | .015                                | 930                  |             |              |                                |
|                          | WTGO-7D            | 2.00                | 280              | 244                                   | 212                              | 86.0 | 5.50   | .015                                | 930                  |             |              |                                |
|                          | WTGO-8             | 2.30                | 322              | 266                                   | 231 <sup>8</sup>                 | -    | 5.75   | .025                                | 1,030                |             |              |                                |
|                          | WTGO-9             | 2.55                | 357              | 295                                   | 257 <sup>8</sup>                 | -    | 6.00   | .030                                | 1,135                |             |              |                                |

Boiler order options include  
 Packaged boiler: Assembled block with jacket, collector hood and controls installed (order burner separately); sizes 3-6  
 Semi-packaged boiler: Assembled block with jacket and collector hood installed (order burner and trim separately); sizes 3-6  
 Knocked-down boiler: Assembled block, all other components are cartoned and shipped separately; all sizes



# STANDARD EQUIPMENT:

## BOILER

- Factory tested and assembled cast iron section assembly (jacket and collector hood are not assembled on 7, 8 and 9 section blocks)
- Tankless heater (Packaged\* units) or tankless opening cover plate (Semi-Packaged\* & Knocked-Down\* units)
- Insulated steel jacket
- Aluminized steel flue collector hood with flue cap on top outlet (convertible to rear outlet)
- Swing-away burner mounting door
- Refractory blanket and target wall in combustion area
- Circulator (when ordered)
  - Sizes 3-4: Taco 007e
  - Sizes 5-6: Taco 007
- Combination limit control, tankless heater control and LWCO with integrated service switch
- Two vent pipe brackets
- Pressure/temperature gauge
- 30 PSI ASME relief valve (boiler sections tested for 50 PSIG working pressure)
- Drain valve
- Barometric damper

## OPTIONAL EQUIPMENT:

- High-efficiency flame-retention oil burner (Beckett AFG, Carlin EZ or Riello). Specify 2-Stage fuel unit (optional, Beckett) if required
- Vent damper kits

## LIMITED TRANSFERABLE WARRANTY:

- Residential: 20 Years Heat Exchanger; 2 Years Parts
- Commercial: 10 Years Heat Exchanger; 1 Year Parts

<sup>4</sup>Boiler model suffixes:

R = Reduced input version—a burner nozzle change may be required, refer to the burner instructions or boiler's rating label for correct selection. No separate/additional damper kit required.

D = High input version—installation of the separate High Input Vent Damper kit (part # 381800515) is required, also a burner nozzle change may be required, refer to the burner instructions or boiler's rating label for correct selection.

RD = ENERGY STAR 87% AFUE compliant only when installed with the separate ES Vent Damper kit (part numbers 381800501 through 381800506) and at the reduced burner rate.

L = Designates a boiler with a special narrow front section (1/2 supply tapping) for space constraint installations (i.e., Levittown).

<sup>5</sup>No. 2 fuel oil—Commercial Standard Specification CS75-56. Heating value of oil-140,000 BTU/Gal.

<sup>6</sup>Based on standard test procedures prescribed by the United States Department of Energy.

<sup>7</sup>MBH refers to thousands of BTU per hour.

<sup>8</sup>AHRI gross output.

<sup>9</sup>Net AHRI ratings are based on net installed radiation adequate for the requirements of the building, including a piping and pickup allowance of 1.15-sufficient for normal conditions. Provide additional allowance only for unusual piping and pickup loads.

<sup>10</sup>Tankless heater rating is in gallons of water per minute, heated from 40°F to 140°F with 200°F boiler water temperature—tested in accordance with I-W-H testing and rating standard for indirect tankless water heaters test with boilers.

In the interest of continual improvement in product and performance, Weil-McLain reserves the right to change specifications without notice.