

## EGH Series 2 Standing Pilot

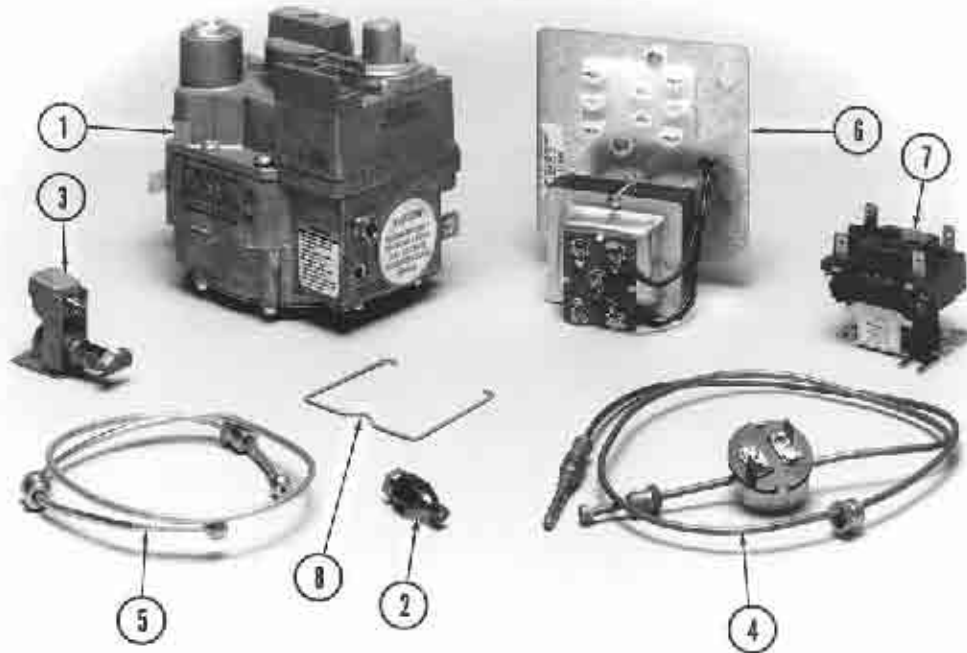


Fig. No.	Part No.	Description	Mfr.	Mfr.'s. Part No.	Boiler Size
<b>COMPONENTS FOR NATURAL GAS ONLY</b>					
1N	See Technical Bulletin SB0107	Thermo-couple to Thermopile Conversion kit. (Kit includes new gas valve, Thermo-pile, lead wire assembly & instructions.)	Robertshaw	7000ERHC-S7C	85,95
2N	560-528-950	Natural Gas Pilot Orifice, A26, .026 Dia.	Honeywell	388146-AG	85,95
<b>COMPONENTS FOR PROPANE GAS ONLY</b>					
1P	See Technical Bulletin SB0107	Thermo-couple to Thermopile Conversion kit. (Kit includes new gas valve, Thermo-pile, lead wire assembly & instructions.)	Robertshaw	VR8300C-4100	85,95
2P	560-528-957	Propane Gas Pilot Orifice, .010 Dia.	Honeywell	388146KR	85,95
<b>COMPONENTS FOR NATURAL GAS AND PROPANE GAS</b>					
3	511-330-186	Pilot Burner, Constant Burning, Thermally Supervised	Honeywell	Q327A1642	85,95
4	See Technical Bulletin SB0107	THERMOCOUPLE with spade terminal block, 36" long (has been replaced by one of two Thermo-couple to thermo-pile conversion kits. 510-811-461 for natural gas or 510-811-462 for propane gas.	Honeywell	Q309B1177	85,95
5	560-742-865	Pilot tubing, 1/8" O.D. Aluminum X 34" Long, with Compression fittings	Weil-McLain		85,95
<b>COMBINATION TRANSFORMER – RELAY RECEPTACLE</b>					
6■	510-312-166	Combination Transformer-Relay Receptacle, 120/24 Volt, 40VA	White-Rodgers	S84A-85	85,95
6■	510-312-166	Combination Transformer-Relay Receptacle, 120/24 Volt, 40VA	Honeywell	R8285K 1004	85,95
6■	510-312-166	Combination Transformer-Relay Receptacle, 120/24 Volt, 40VA	Products Unlimited	5701E07C5F223	85,95
<b>+ PLUG-IN RELAY</b>					
7■	510-350-223	Plug-In Relay, DPST, 24 Volt Holding Coil	White-Rodgers	91-322000-11000	85,95
7■	510-350-223	Plug-In Relay, DPST, 24 Volt Holding Coil	Honeywell	R8222U 1006	85,95
7■	510-350-223	Plug-In Relay, DPST, 24 Volt Holding Coil	Products Unlimited	9100-241Q223	85,95

Note: Standard Efficiency Models are Not Available for EGH-105 through EGH-125 Boilers

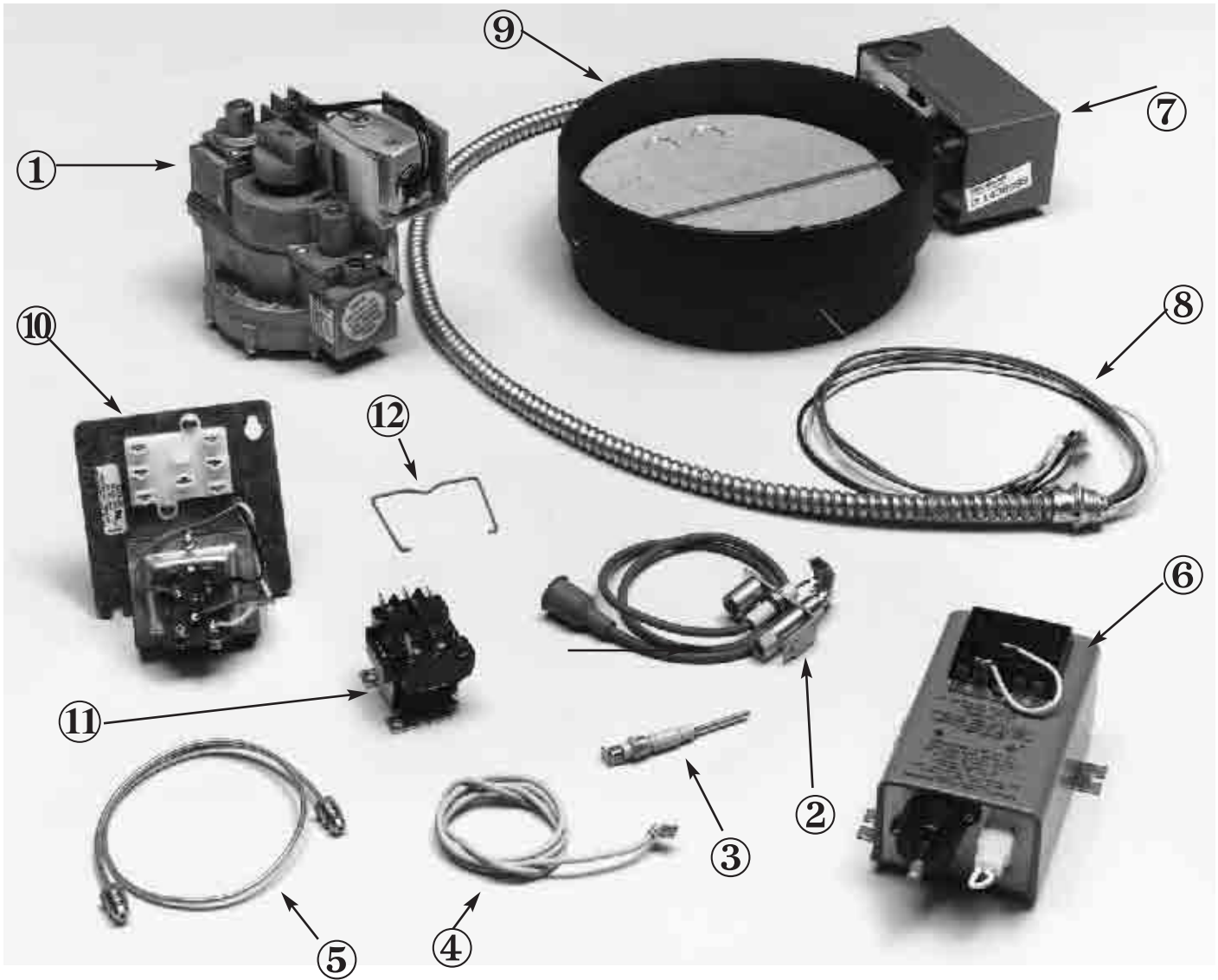
■ Alternate Components

• Not used with EGH Water Boilers with Tankless Heaters

\* Combination Gas Control Valve Includes Manual Gas Cock Knob, Pilot Operation, Main Pressure Regulator, Pilot Take-off, with Pilot Filter and Pilot Adjustment

+ Optional Equipment for EGH Forced Hot Water Boilers without Tankless Heaters

# EGH Series 2 Intermittent Ignition Johnson



## EGH Series 2 Intermittent Ignition Johnson

### APPLICABLE FOR WATER OR STEAM BOILERS WITH OR WITHOUT TANKLESS HEATERS

Fig. No.	Part No.	Description	Mfr.	Mfr.'s. Part No.	Boiler Size
1N	511-044-286	*Combination Gas Control Valve, 3/4" X 1" N.P.T., 24 Volt, Natural Gas	Robertshaw	7000DERHC-S7C	85,95
1N	511-044-287	*Combination Gas Control Valve, 1" X 1" N.P.T., 24 Volt, Natural Gas	Robertshaw	7000DERHC-S7C	105,115,125
2	511-330-163	Combination Safety Pilot Burner with Ignition Electrode, Ignition Lead Cable, Sensing Probe, Sensing Probe Lead Wire and Natural Gas Orifice	Johnson	J992LYW 7125	ALL
3	511-724-264	Sensing Probe, with Spade Receptacle	Johnson	J75AA-3	ALL
4	511-724-270	Sensing Probe Lead Wire, 30" Long, 18 Gauge, with Spade Receptacle	Weil-McLain		ALL
5	560-742-865	Pilot Tubing, 1/8" O.D. Aluminum X 34" long, with Compression Fittings	Weil-McLain		ALL
6	Not Available	Ignition-Sensing Control Module with Molex Connector, 90 Sec. Lockout, 24 Volt Internal Fuse	Johnson	G60PFL-1	ALL
6	510-811-457	Conversion Kit from Johnson to USC Control with Damper Molex	UT Controls	1003-511	ALL
7 ^	510-512-337	Vent Damper Motor Operator with Molex	Effikal	RVGP	ALL
7 ^	510-312-255	Vent Damper Motor Operator with Molex	Johnson Controls	M35BE-1C	ALL
8 ^	591-391-795	Wiring Harness to Connect Automatic Vent Damper Motor Operator to Ignition-Sensing Control Module, with Molex Connectors	Weil-McLain		ALL
9 ^■	381-800-445	Vent Damper Assembly, 9" Dia.	Effikal	RVGP-KS-9BF	85
9 ^■	381-800-445	Vent Damper Assembly, 9" Dia.	Johnson Controls	Q35GM-2	85
9 ^■	381-800-446	Vent Damper Assembly, 10" Dia.	Effikal	RVGP-KS-10BF	95,105
9 ^■	381-800-446	Vent Damper Assembly, 10" Dia.	Johnson Controls	Q35GP-2	95,105
9 ^■	381-800-447	Vent Damper Assembly, 12" Dia.	Effikal	RVGP-KS-12BF	115,125
9 ^■	381-800-447	Vent Damper Assembly, 12" Dia.	Johnson Controls	Q35GR-2	115,125
<b>COMBINATION TRANSFORMER – RELAY RECEPTACLE</b>					
10 ■	510-312-166	Combination Transformer-Relay Receptacle, 120/24 Volt, 40VA	White-Rodgers	S84A-85	85,95
10 ■	510-312-166	Combination Transformer-Relay Receptacle, 120/24 Volt, 40VA	Honeywell	R8285K 1004	85,95
10 ■	510-312-166	Combination Transformer-Relay Receptacle, 120/24 Volt, 40VA	Products Unlimited	5701E07C5F223	85,95
<b>+PLUG-IN RELAY</b>					
11 ■	510-350-223	Plug-In Relay, DPST, 24 Volt Holding Coil	White-Rodgers	91-322000-11000	85,95
11 ■	510-350-223	Plug-In Relay, DPST, 24 Volt Holding Coil	Honeywell	R8222U 1006	85,95
11 ■	510-350-223	Plug-In Relay, DPST, 24 Volt Holding Coil	Products Unlimited	9100-241Q223	85,95

■ Alternate components

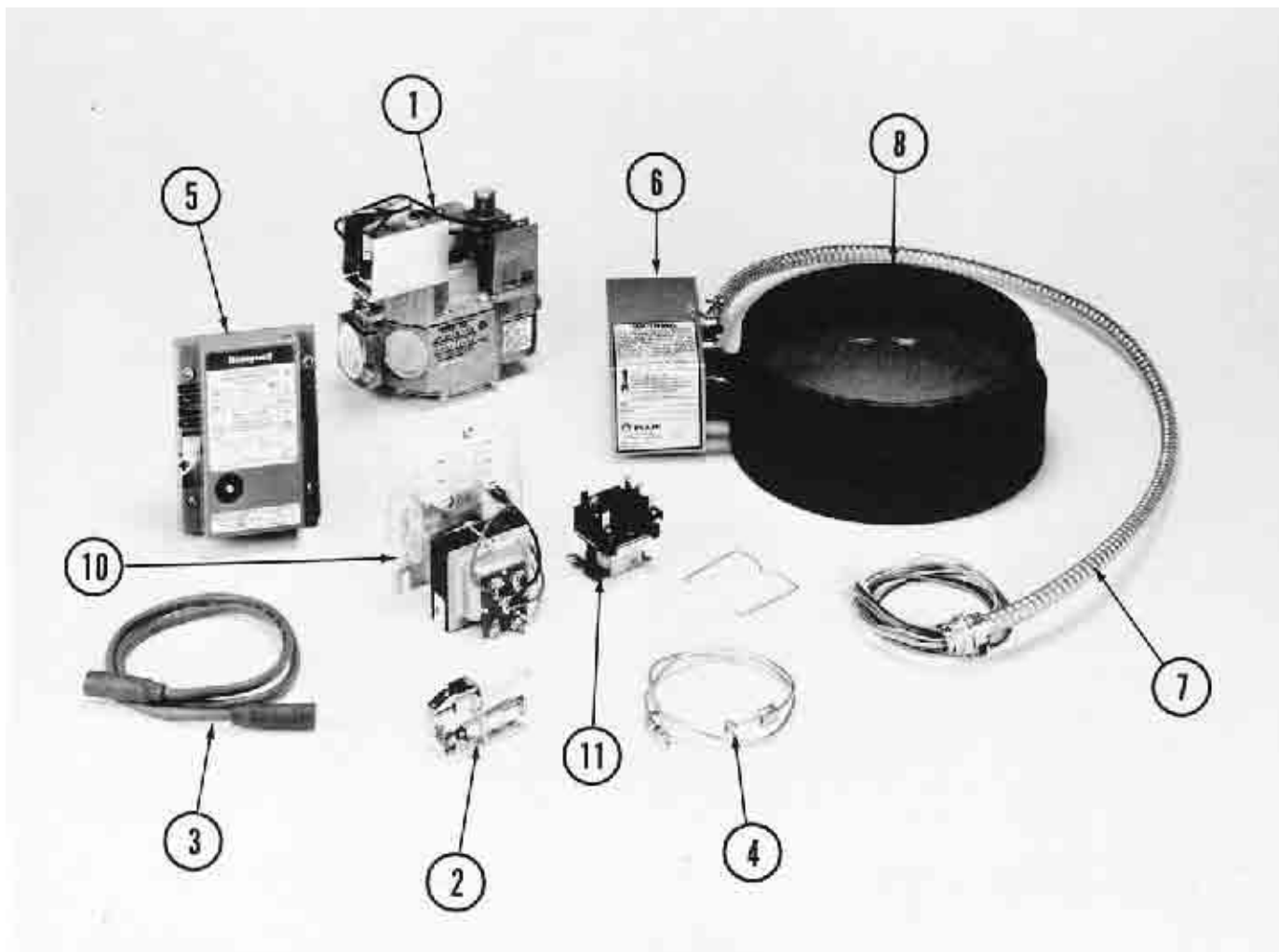
^ Additional Components for PID Models

+ Additional Equipment for EGH Forced Hot Water Boilers without Tankless Heaters

\* Combination Gas Control Valve Includes Manual Gas Cock Knob, Redundant Gas Valve, Main Pressure Regulator, Pilot Take-Off, with Pilot Filter and Pilot Adjustment

NOTE: Not used on EGH Water Boilers with Tankless heaters

# EGH Series 2 Intermittent Ignition Honeywell



## EGH Series 2 Intermittent Ignition Honeywell

### APPLICABLE FOR WATER OR STEAM BOILERS WITH OR WITHOUT TANKLESS HEATERS

Fig. No.	Part No.	Description	Mfr.	Mfr.'s. Part No.	Boiler Size
1N	511-044-286	*Combination Gas Control Valve, 3/4" X 1" N.P.T., 24 Volt, Natural Gas	Robertshaw	7000DERHC-S7C	85,95
1N	511-044-287	*Combination Gas Control Valve, 1" X 1" N.P.T., 24 Volt, Natural Gas	Robertshaw	7000DERHC-S7C	105,115,125
2	511-330-170	Combination Safety Pilot Burner with Ignition-Sensing Electrode, and Natural Gas Orifice	Honeywell	Q348A 1002	ALL
3	591-391-798	Ignition-Sensing Cable, 36" Long	Weil-McLain		ALL
4	560-742-865	Pilot Tubing, 1/8" O.D. Aluminum X 34" long, with Compression Fittings	Weil-McLain		ALL
5	Not Available	Ignition-Sensing Control Module with Molex Connector, 90 Sec. Lockout, 24 Volt Internal Fuse	Honeywell	S86H-1121	ALL
	510-811-457	Conversion Kit from Honeywell to USC with Damper Molex	UT Controls	1003-511	ALL
6▲	510-512-337	Vent Damper Motor Operator with Molex	Effikal	RVGP	ALL
6▲	510-312-255	Vent Damper Motor Operator with Molex	Johnson Controls	M35BE-1C	ALL
7▲	591-391-795	Wiring Harness to Connect Automatic Vent Damper Motor Operator to Ignition-Sensing Control Module, with Molex Connectors	Weil-McLain		ALL
8▲■	381-800-445	Vent Damper Assembly, 9" Dia.	Effikal	RVGP-KS-9BF	85
8▲■	381-800-445	Vent Damper Assembly, 9" Dia.	Johnson Controls	Q35GM-2	85
8▲■	381-800-446	Vent Damper Assembly, 10" Dia.	Effikal	RVGP-KS-10BF	95,105
8▲■	381-800-446	Vent Damper Assembly, 10" Dia.	Johnson Controls	Q35GP-2	95,105
8▲■	381-800-447	Vent Damper Assembly, 12" Dia.	Effikal	RVGP-KS-12BF	115,125
8▲■	381-800-447	Vent Damper Assembly, 12" Dia.	Johnson Controls	Q35GR-2	115,125
<b>COMBINATION TRANSFORMER – RELAY RECEPTACLE</b>					
10■	510-312-166	Combination Transformer-Relay Receptacle, 120/24 Volt, 40VA	White-Rodgers	S84A-85	85,95
10■	510-312-166	Combination Transformer-Relay Receptacle, 120/24 Volt, 40VA	Honeywell	R8285K 1004	85,95
10■	510-312-166	Combination Transformer-Relay Receptacle, 120/24 Volt, 40VA	Products Unlimited	5701E07C5F22 3	85,95
<b>+ PLUG-IN RELAY</b>					
11■	510-350-223	Plug-In Relay, DPST, 24 Volt Holding Coil	White-Rodgers	91-322000-11000	85,95
11■	510-350-223	Plug-In Relay, DPST, 24 Volt Holding Coil	Honeywell	R8222U 1006	85,95
11■	510-350-223	Plug-In Relay, DPST, 24 Volt Holding Coil	Products Unlimited	9100-241Q223	85,95

■ Alternate components

· Not used on EGH Water Boilers with Tankless heaters

▲ Additional Components for PID Models

+ Additional Equipment for EGH Forced Hot Water Boilers without Tankless Heaters

\* Combination Gas Control Valve Includes Manual Gas Cock Knob, Redundant Gas Valve, Main Pressure Regulator, Pilot Take-Off, with Pilot Filter and Pilot Adjustment

## EGH Series 2 Water Trim

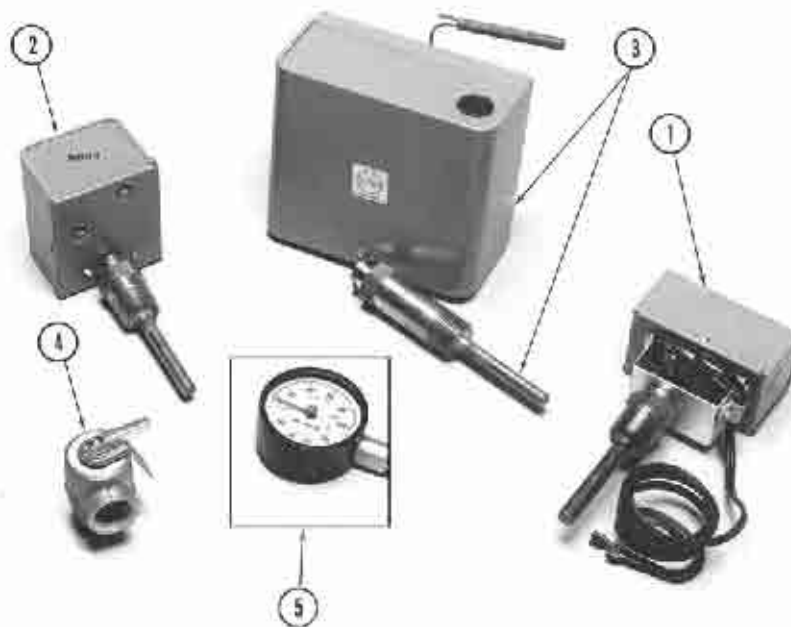


Fig. No.	Part No.	Description	Mfr.	Mfr.'s. Part No.	Boiler Size
<b>TEMPERATURE CONTROLS FOR STANDARD MODEL BOILERS</b>					
1	510-312-150	Combination Operating High Limit and Fixed high Limit Temperature Control with NEM-1A Enclosure, DPST, Automatic Recycle. OPERATING HIGH LIMIT: 140-240° F Range FIXED HIGH LIMIT: 240° F, with 3/4" N.P.T. Control Well, with Wire Leads for Connection to Thermocouple Spade Terminal Block			85,95
1	510-312-150	Combination Operating High Limit and Fixed high Limit Temperature Control with NEM-1A Enclosure, DPST, Automatic Recycle. OPERATING HIGH LIMIT: 140-240° F Range FIXED HIGH LIMIT: 240° F, with 3/4" N.P.T. Control Well, with Wire Leads for Connection to Thermocouple Spade Terminal Block			85,95
<b>TEMPERATURE CONTROLS FOR PI AND PID BOILERS WITHOUT TANKLESS HEATERS</b>					
2 ■	510-312-209	High Limit Temperature Control, SPST, Automatic Recycle, 140-240° F Range, 10° F Fixed Subtractive Differential with 3/4" N.P.T. Control Well	Honeywell	L4080B 1311	ALL
2 ■	510-312-209	High Limit Temperature Control, SPST, Automatic Recycle, 140-240° F Range, 10° F Fixed Subtractive Differential with 3/4" N.P.T. Control Well	White-Rodgers	11B83-16	ALL
<b>TEMPERATURE CONTROLS FOR STANDARD MODEL, PI AND PID BOILERS WITH TANKLESS HEATERS</b>					
3	510-312-249	Combination High Limit, Low Limit/Circulator Control, Switching Relay with Built-in 120/24 Volt Transformer, and 3/4" N.P.T. Control Well. HIGH LIMIT: SPST, Automatic Recycle, 140-240° F Range, 10° F Fixed subtractive Differential. LOW LIMIT/CIRCULATOR CONTROL: SPDT, Automatic Recycle, 100-200° F Range, 10-35° F Adjustable Differential.		8F43A-5	ALL
<b>WATER TRIM COMPONENTS COMMON TO ALL BOILERS</b>					
4	511-546-924	ASME Pressure Relief Valve, set to relieve at 30 PSIG, 3/4" Female Inlet	Watts	335	ALL
4	511-546-924	ASME Pressure Relief Valve, set to relieve at 30 PSIG, 3/4" Female Inlet	Conbraco	10-408-05	ALL
NS	590-921-901	Tankless Heater, water boiler, includes heater, gasket, nuts and studs	Heat Transfer Products	E632	

■ Alternate components

## EGH Series 2 Steam Trim

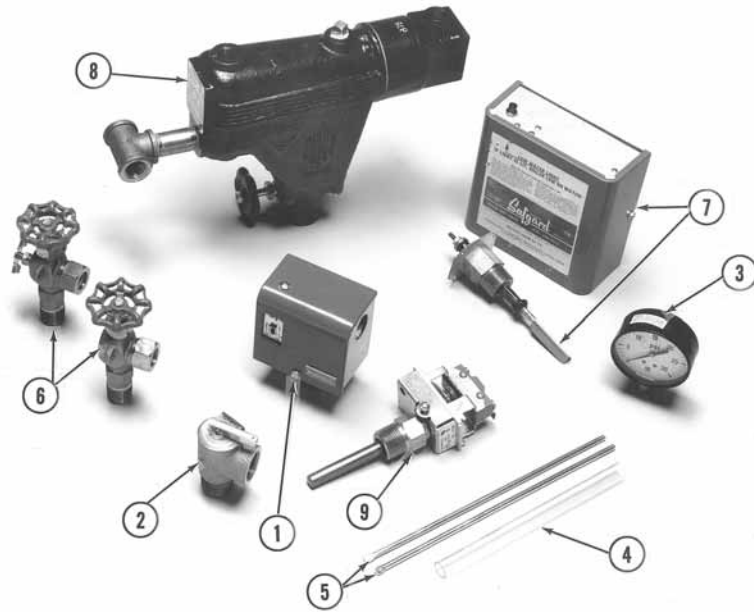
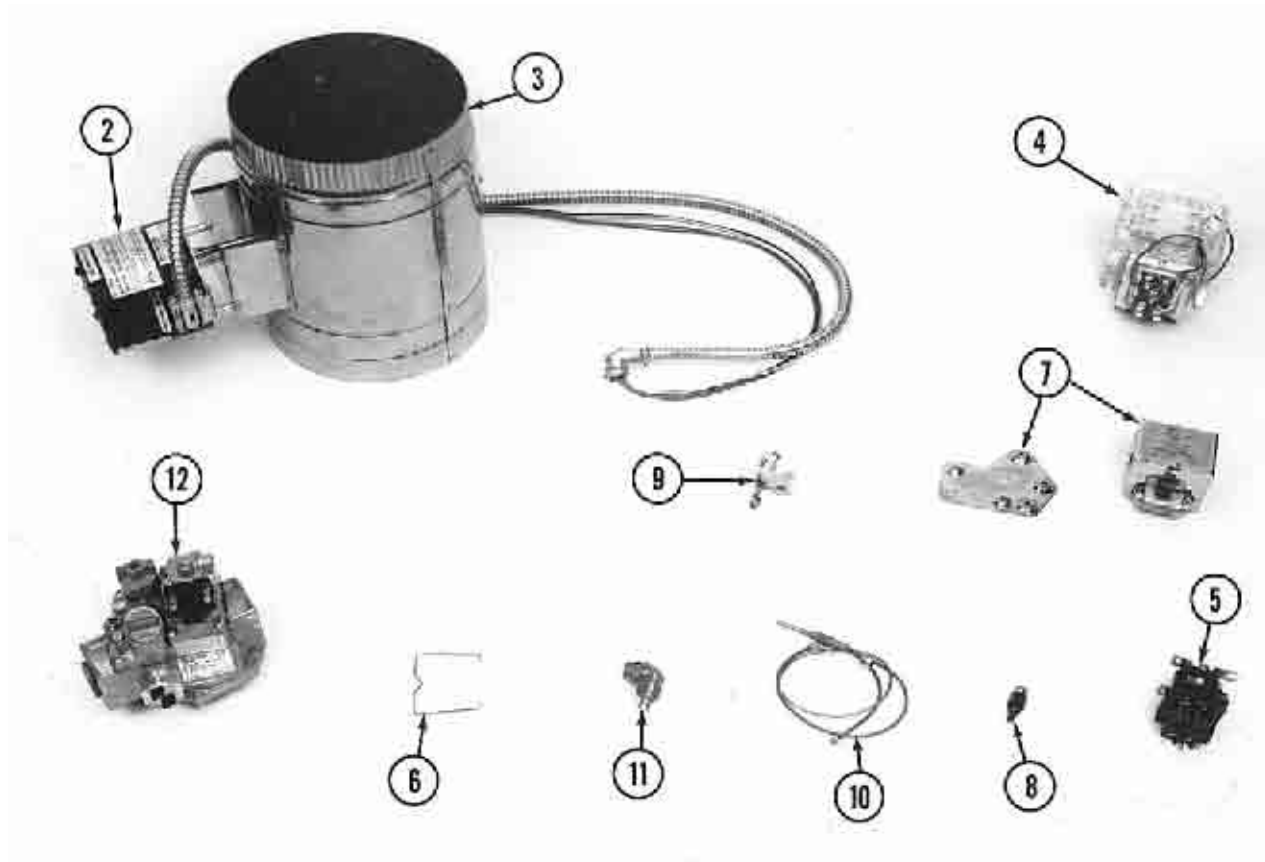


Fig. No.	Part No.	Description	Mfr.	Mfr.'s. Part No.	Boiler Size
1	510-312-135	*High Limit Steam Pressure control, SPST, Automatic Recycle, 0-9 PSIG Range, 0-5 PSIG Additive Differential, Bottom connection, 1/4" N.P.T.	Honeywell	PA404A 1009	ALL
2■	511-548-020	ASME Steam Valve, Set to Relieve at 15 PSIG, Side Outlet, 3/4" N.P.T. Male Inlet, 446 lbs./hr Capacity	Conbraco	13-211-08	ALL
2■	511-548-020	ASME Steam Valve, Set to Relieve at 15 PSIG, Side Outlet, 3/4" N.P.T. Male Inlet, 446 lbs./hr Capacity	Watts	415	ALL
3	510-218-035	Pressure Gauge, 0-30 PSIG, 2-1/2" Dial, Bottom Connection, 1/4" N.P.T.	Ametek	P-500	ALL
4	383-600-000	Water Gauge Glass Kit, 5/8" x 7 3/8" with gaskets and brass washers.	Weil-McLain		ALL
5	563-334-580	Water Gauge Glass Guard, 3/16" Dia. X 9-3/8" Long (2 per gauge glass)	Weil-McLain		ALL
<b>WATER GAUGE GLASS COCKS FOR ELECTRODE TYPE LOW WATER CUT-OFF</b>					
5	510-218-145	Water Gauge Glass Cocks, Set, 1/2" N.P.T. Male Inlet	Conbraco	21-205-03W	ALL
<b>WATER GAUGE GLASS COCKS FOR NO. 67 FLOAT TYPE LOW WATER CUT-OFF</b>					
6	510-218-135	Water Gauge Glass Cocks, Set, 1/2" N.P.T., Male Inlet	Conbraco	20-205-03W	ALL
<b>ELECTRODE TYPE LOW WATER CUT-OFF FOR STANDARD MODELS, PI AND PID STEAM BOILERS</b>					
7■		Electrode Type Low Water Cut-Off, SPDT, 24 Volt, 3/4" N.P.T. Male Electrode, 15 PSIG	Hydrolevel	OEM24-TD	ALL
7■	510-811-403	Kit, Electrode type Low Water Cut-Off, SPDT, 24 Volt, 3/4" N.P.T. Male Electrode, 15 PSIG	Hydrolevel	45-400	ALL
<b>FLOAT TYPE LOW WATER CUT-OFF FOR STANDARD MODELS, PI AND PID STEAM BOILERS</b>					
8	511-114-494	Float Type Low Water Cut-Off, SPDT, Automatic Recycle, 15 PSIG, Rated, 1/4" N.P.T., with Quick Hook-Up Fittings, Contacts Rated for 24 Volts and 120 Volts	McDonnell-Miller	65W-1	ALL
<b>FLOAT TYPE LOW WATER CUT-OFF MILLIVOLT BOILERS</b>					
8	511-114-494	Float Type Low Water Cut-Off, SPDT, Automatic Recycle, 15 PSIG, Rated, 1/4" N.P.T., with Quick Hook-Up Fittings, Contacts Rated for 24 Volts and 120 Volts	McDonnell-Miller	65W-1	ALL
<b>TANKLESS HEATER OPERATING TEMPERATURE CONTROL</b>					
9■	510-312-250	Operating Temperature Control, SPST, Automatic Recycle, 140-240° F Range, 10° F Fixed Subtractive Differential, with 3/4" N.P.T. Control Well	Honeywell	L4080-B1311	ALL
9■	510-312-250	Operating Temperature Control, SPST, Automatic Recycle, 140-240° F Range, 10° F Fixed Subtractive Differential, with 3/4" N.P.T. Control Well	White-Rodgers	11B81-3	ALL
NS	590-921-903	Tankless Heater, steam boiler, includes heater, gasket, nuts and studs	Heat Transfer Products	35-S-29	

■ Alternate components

\* Two high limits used with EGH-85 and EGH-95 standard model steam boilers

# EGH Series 3 Common Components





## EGH Series 3 Common Components

**APPLICABLE FOR WATER OR STEAM BOILERS WITH OR WITHOUT TANKLESS HEATERS**

Fig. No.	Part No.	Description	Mfr.	Mfr.'s. Part No.	Boiler Size
	591-391-795	Wiring Harness to Connect Automatic Vent Damper Motor Operator to Ignition-Sensing Control Module, with Molex Connectors	Weil-McLain		ALL
2 ^	510-512-337	Vent Damper Motor Operator with Molex	Effikal	RVGP	ALL
2 ^	510-312-255	Vent Damper Motor Operator with Molex	Johnson Controls	M35BE-1C	ALL
3 ■	381-800-445	Vent Damper Assembly, 9" Dia.	Effikal	RVGP-KS-9BF	85
3 ■	381-800-445	Vent Damper Assembly, 9" Dia.	Johnson Controls	Q35GM-2	85
3 ■	381-800-446	Vent Damper Assembly, 10" Dia.	Effikal	RVGP-KS-10BF	95,105
3 ■	381-800-446	Vent Damper Assembly, 10" Dia.	Johnson Controls	Q35GP-2	95,105
3 ■	381-800-447	Vent Damper Assembly, 12" Dia.	Effikal	RVGP-KS-12BF	115,125
3 ■	381-800-447	Vent Damper Assembly, 12" Dia.	Johnson Controls	Q35GR-2	115,125
4 ●	510-312-166	Combination Transformer-Relay Receptacle, 120/24V, 40VA	White-Rodgers	S84A-85	ALL
4 ●	510-312-166	Combination Transformer-Relay Receptacle, 120/24V, 40VA	Honeywell	R8285K 1004	ALL
4 ●	510-312-166	Combination Transformer-Relay Receptacle, 120/24V, 40VA	Products Unlimited	57- 01E07C5F223	ALL
5+ ●	510-350-223	Plug-In Relay, DPST, 24 Volt Holding Coil	White-Rodgers	91-322000- 11000	ALL
5+ ●	510-350-223	Plug-In Relay, DPST, 24 Volt Holding Coil	Honeywell	R8222U 1006	ALL
5+ ●	510-350-223	Plug-In Relay, DPST, 24 Volt Holding Coil	Products Unlimited	9001-241Q223	ALL

**PROPANE COMPONENTS FOR EGH-PI MODELS**

Fig No.	Part No.	Description	Mfg.	Mfg's. Part No.	Boiler Size
7	511-330-229	Pilot Switch Box	Johnson Controls	L62GB-3C	ALL
8	560-528-957	Propane Orifice, .010 Dia. (For Q327/Q348 Pilot) K14	Honeywell	388146KR	ALL
9	511-330-186	Standing Pilot Burner	Honeywell	Q327A 1642	ALL
10	511-724-254	Thermocouple Lead, 30" H	oneywell	Q309A 1988	ALL
11	511-246-340	Manual Shut-Off Pilot Gas Valve, 1/8" N.P.T. X 1/4" CC	Conbraco Industries	P2R,230- 4141	ALL
12P	511-044-278	*Combination Gas Control Valve, 3/4" X 1" N.P.T., 24 Volt, Propane Gas	Robertshaw	7000DERHC- S7C	85,95
12P	511-044-279	*Combination Gas Control Valve, 1" X 1" N.P.T., 24 Volt, Propane Gas	Robertshaw	7000DERHC- S7C	105,115,125

- Alternate components
- Not used on EG Water Boilers with Tankless heaters
- ^ Additional Components for PID Models
- + Additional Equipment for EG Forced Hot Water Boilers without Tankless Heaters
- \* Combination Gas Control Valve Includes Manual Gas Cock Knob, Redundant Gas Valve, Main Pressure Regulator, Pilot Take- Off, with Pilot Filter and Pilot Adjustment

## EGH Series 3 Water Trim

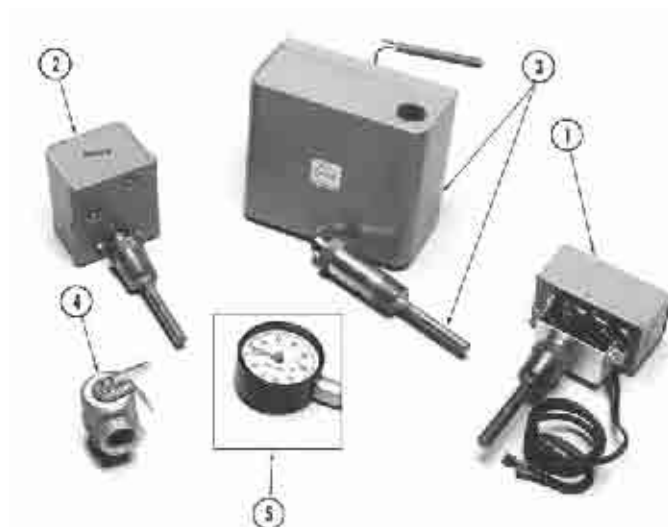


Fig. No.	Part No.	Description	Mfr.	Mfr.'s Part No.	Boiler Size
<b>TEMPERATURE CONTROLS FOR STANDARD MODEL BOILERS</b>					
1	510-312-137	Combination Operating High Limit and Fixed high Limit Temperature Control with NEM-1A Enclosure, DPST, Automatic Recycle. OPERATING HIGH LIMIT: 140-240° F Range FIXED HIGH LIMIT: 240° F, with 3/4" N.P.T. Control Well, with Wire Leads for Connection to Thermocouple Spade Terminal Block	Honeywell	L4080F-1023	85,95
1	510-312-137	Combination Operating High Limit and Fixed high Limit Temperature Control with NEM-1A Enclosure, DPST, Automatic Recycle. OPERATING HIGH LIMIT: 140-240° F Range FIXED HIGH LIMIT: 240° F, with 3/4" N.P.T. Control Well, with Wire Leads for Connection to Thermocouple Spade Terminal Block	White-Rodgers	11B83-703	85,95
<b>TEMPERATURE CONTROLS FOR PI AND PID BOILERS WITHOUT TANKLESS HEATERS</b>					
2■	510-312-209	High Limit Temperature Control, SPST, Automatic Recycle, 140-240° F Range, 10° F Fixed Subtractive Differential with 3/4" N.P.T. Control Well	Honeywell	L4080B 1311	ALL
2■	510-312-209	High Limit Temperature Control, SPST, Automatic Recycle, 140-240° F Range, 10° F Fixed Subtractive Differential with 3/4" N.P.T. Control Well	White-Rodgers	11B83-16	ALL
2■	510-312-250	High Limit Temperature Control, SPST, Automatic Recycle, 140-240° F Range, 10° F Fixed Subtractive Differential with 1/2" N.P.T. Control Well	Honeywell	L4080D 1036	ALL
2■	510-312-250	High Limit Temperature Control, SPST, Automatic Recycle, 140-240° F Range, 10° F Fixed Subtractive Differential with 1/2" N.P.T. Control Well	White-Rodgers	11B81-3	ALL
<b>TEMPERATURE CONTROLS FOR STANDARD MODEL, PI AND PID BOILERS WITH TANKLESS HEATERS</b>					
3	510-312-249	Combination High Limit, Low Limit/Circulator Control, Switching Relay with Built-in 120/24 Volt Transformer, and 3/4" N.P.T. Control Well. HIGH LIMIT: SPST, Automatic Recycle, 140-240° F Range, 10° F Fixed subtractive Differential. LOW LIMIT/CIRCULATOR CONTROL: SPDT, Automatic Recycle, 100-200° F Range, 10-35° F Adjustable Differential.	Honeywell	L8124E 1065	ALL
<b>WATER TRIM COMPONENTS COMMON TO ALL BOILERS</b>					
4■	511-546-924	ASME Pressure Relief Valve, Set to Relieve at 30 PSIG, 3/4" Female inlet	Watts	335	ALL
4■	511-546-924	ASME Pressure Relief Valve, Set to Relieve at 30 PSIG, 3/4" Female inlet	Conbraco	10-408-05	ALL
5	510-218-097	Combination Pressure-Temperature Gauge, 2 1/2" Dial, 0-60 PSIG, 60-260° F, Long Shank, Back Connection, 1/4" N.P.T.	ENFM-USA	4104	ALL
NS	590-921-901	Tankless Heater, water boiler, includes heater, gasket, nuts and studs	Heat Transfer Products	E632	

■ Alternate components

## EGH Series 3 Steam Trim

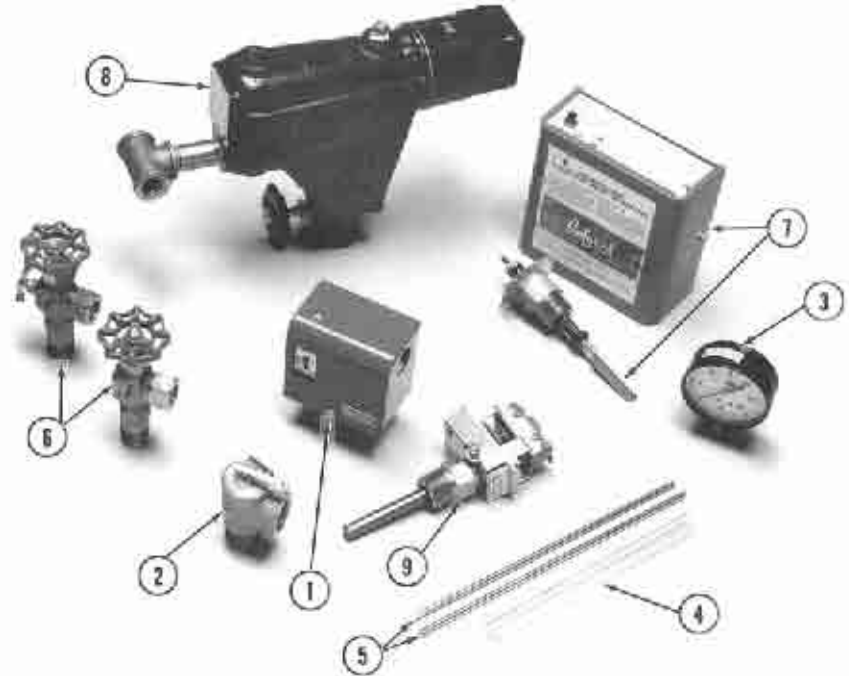


Fig. No.	Part No.	Description	Mfr.	Mfr.'s Part No.	Boiler Size
1	510-312-135	*High Limit Steam Pressure control, SPST, Automatic Recycle, 0-9 PSIG Range, 0-5 PSIG Additive Differential, Bottom connection, 1/4" N.P.T.	Honeywell	PA404A 1009	ALL
2 ■	511-548-020	ASME Steam Valve, Set to Relieve at 15 PSIG, Side Outlet, 3/4" N.P.T. Male Inlet, 446 lbs./hr Capacity	Conbraco	13-211-08	ALL
2 ■	511-548-020	ASME Steam Valve, Set to Relieve at 15 PSIG, Side Outlet, 3/4" N.P.T. Male Inlet, 446 lbs./hr Capacity	Watts	415	ALL
3	510-218-035	Pressure Gauge, 0-30 PSIG, 2-1/2" Dial, Bottom Connection, 1/4" N.P.T.	Ametek	P-500	ALL
4	383-600-000	Water Gauge Glass Kit, 5/8" x 7 3/8" with gaskets and brass washers.	Weil-McLain		ALL
5	563-334-580	Water Gauge Glass Guard, 3/16" Dia. X 9-3/8" Long (2 per gauge glass)	Weil-McLain		ALL
<b>WATER GAUGE GLASS COCKS FOR ELECTRODE TYPE LOW WATER CUT-OFF</b>					
6	510-218-145	Water Gauge Glass Cocks, Set, 1/2" N.P.T. Male Inlet	Conbraco	21-205-03	ALL
<b>WATER GAUGE GLASS COCKS FOR NO. 67 FLOAT TYPE LOW WATER CUT-OFF</b>					
6	510-218-135	Water Gauge Glass Cocks, Set, 1/2" N.P.T., Male Inlet	Conbraco	20-205-03	ALL
<b>ELECTRODE TYPE LOW WATER CUT-OFF FOR STANDARD MODELS, PI AND PID STEAM BOILERS</b>					
7 ■	510-811-403	Kit, Electrode type Low Water Cut-Off, SPDT, 24 Volt, 3/4" N.P.T Male Electrode, 15 PSIG	Hydrolevel	45-400	ALL
<b>FLOAT TYPE LOW WATER CUT-OFF FOR STANDARD MODELS, PI AND PID STEAM BOILERS</b>					
8	511-114-494	Float Type Low Water Cut-Off, SPDT, Automatic Recycle, 15 PSIG, Rated, 1/4" N.P.T., with Quick Hook-Up Fittings, Contacts Rated for 24 Volts and 120 Volts	McDonnell-Miller	65W-1	ALL
<b>TANKLESS HEATER OPERATING TEMPERATURE CONTROL</b>					
9 ■	510-312-250	Operating Temperature Control, SPST, Automatic Recycle, 140-240° F Range, 10° F Fixed Subtractive Differential, with 3/4" N.P.T. Control Well	Honeywell	L4080-D-1036	ALL
9 ■	510-312-250	Operating Temperature Control, SPST, Automatic Recycle, 140-240° F Range, 10° F Fixed Subtractive Differential, with 3/4" N.P.T. Control Well	White-Rodgers	11B81-3	ALL
NS	590-921-903	Tankless Heater, steam boiler, includes heater, gasket, nuts and studs. For all EGH boilers	Heat Transfer Products	35-S-29	

■ Alternate Components

\* Two High Limits used with EGH-85 and EGH-95 Standard Model Steam Boilers

## EGH Series 3 Standing Pilot

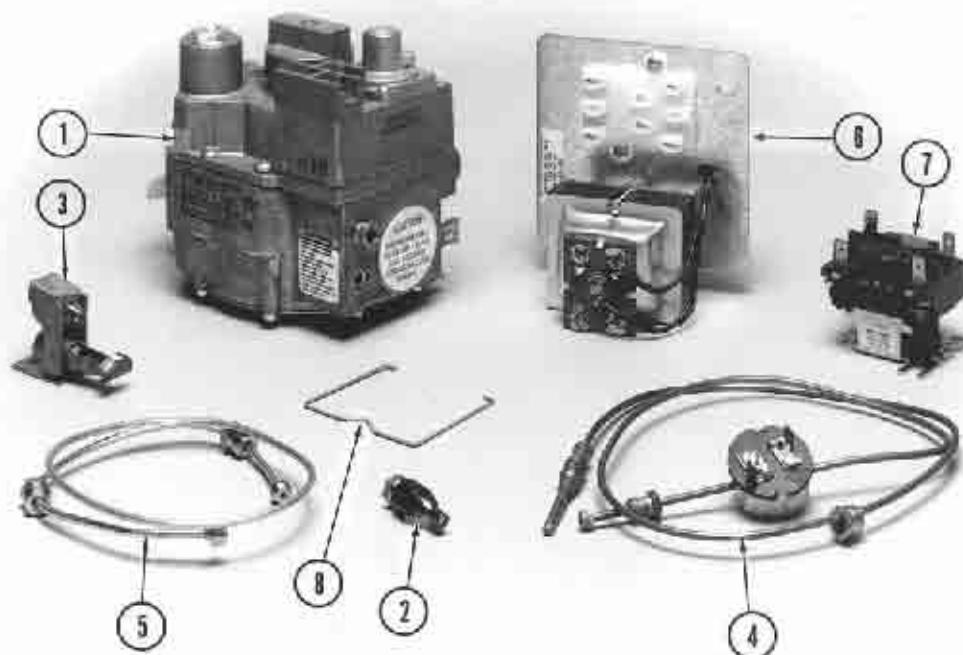


Fig. No.	Part No.	Description	Mfr.	Mfr.'s. Part No.	Boiler Size
<b>COMPONENTS FOR NATURAL GAS ONLY</b>					
1N	See Technical Bulletin SB0107	Thermo-couple to Thermopile Conversion kit. Kit includes new gas valve, Thermo-pile, lead wire assembly & instructions.	Robertshaw	7000ERHC-S7C	85,95
2N	560-528-950	Natural Gas Pilot Orifice, A26, .026 Dia.	Honeywell	388146-AG	85,95
<b>COMPONENTS FOR PROPANE GAS ONLY</b>					
1P	See Technical Bulletin SB0107	Thermo-couple to Thermopile Conversion kit. Kit includes new gas valve, Thermo-pile, lead wire assembly & instructions.	Robertshaw	7000 BKER-1	85,95
2P	560-528-957	Propane Gas Pilot Orifice, .010 Dia.	Honeywell	MH K14 3881	85,95
<b>COMPONENTS FOR NATURAL GAS AND PROPANE GAS</b>					
3	511-330-186	Pilot Burner, Constant Burning, Thermally Supervised	Honeywell	Q327A1642	85,95
4	See Technical Bulletin SB0107	Thermo-couple with spade block has been replaced by one of two thermo-couple to thermo-pile conversion kits, 510-811-461 for natural gas or 510-811-462 for propane gas.	Honeywell	Q309B1177	85,95
5	560-742-865	Pilot tubing, 1/8" O.D. Aluminum X 34" Long, with Compression fittings	Weil-McLain		85,95
<b>COMBINATION TRANSFORMER-RELAY RECEPTACLE</b>					
6■	510-312-166	Combination Transformer-Relay Receptacle, 120/24 Volt, 40VA, with bale wire	White-Rodgers	S84A-85	85,95
6■	510-312-166	Combination Transformer-Relay Receptacle, 120/24 Volt, 40VA, with bale wire	Honeywell	R8285K 1004	85,95
6■	510-312-166	Combination Transformer-Relay Receptacle, 120/24 Volt, 40VA, with bale wire	Products Unlimited	5701E07C5F223	85,95
<b>+ PLUG-IN RELAY</b>					
7■	510-350-223	Plug-In Relay, DPST, 24 Volt Holding Coil	White-Rodgers	91-322000-11000	85,95
7■	510-350-223	Plug-In Relay, DPST, 24 Volt Holding Coil	Honeywell	R8222U 1006	85,95
7■	510-350-223	Plug-In Relay, DPST, 24 Volt Holding Coil	Products Unlimited	9100-241Q223	85,95

Note: Standard Efficiency Models are Not Available for EGH-105 through EGH-125 Boilers

■ Alternate Components

N denotes Natural Gas

P denotes Propane Gas

• Not used with EGH Water Boilers with Tankless Heaters

+ Optional Equipment for EGH Forced Hot Water Boilers without Tankless heaters

## EGH Series 3 Intermittent Ignition

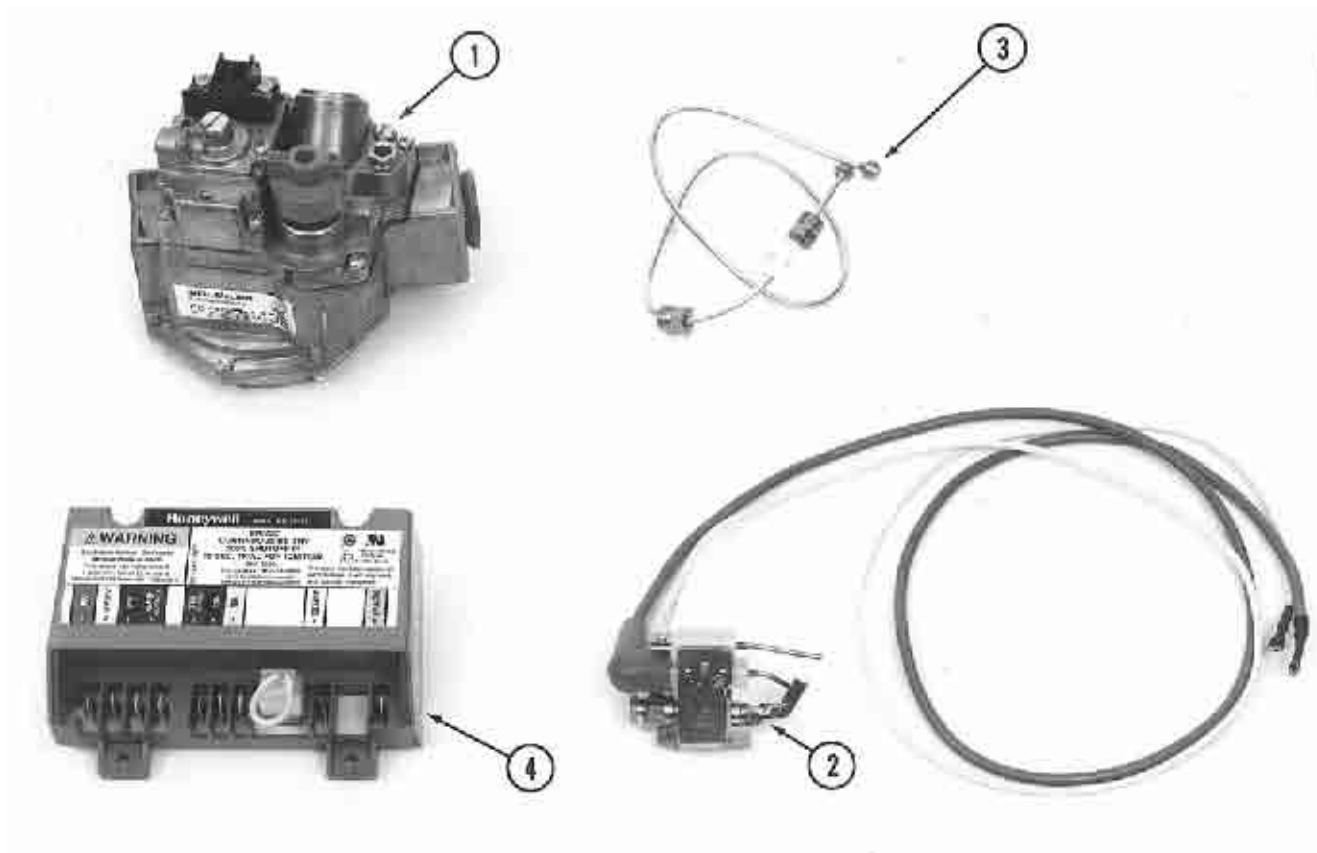


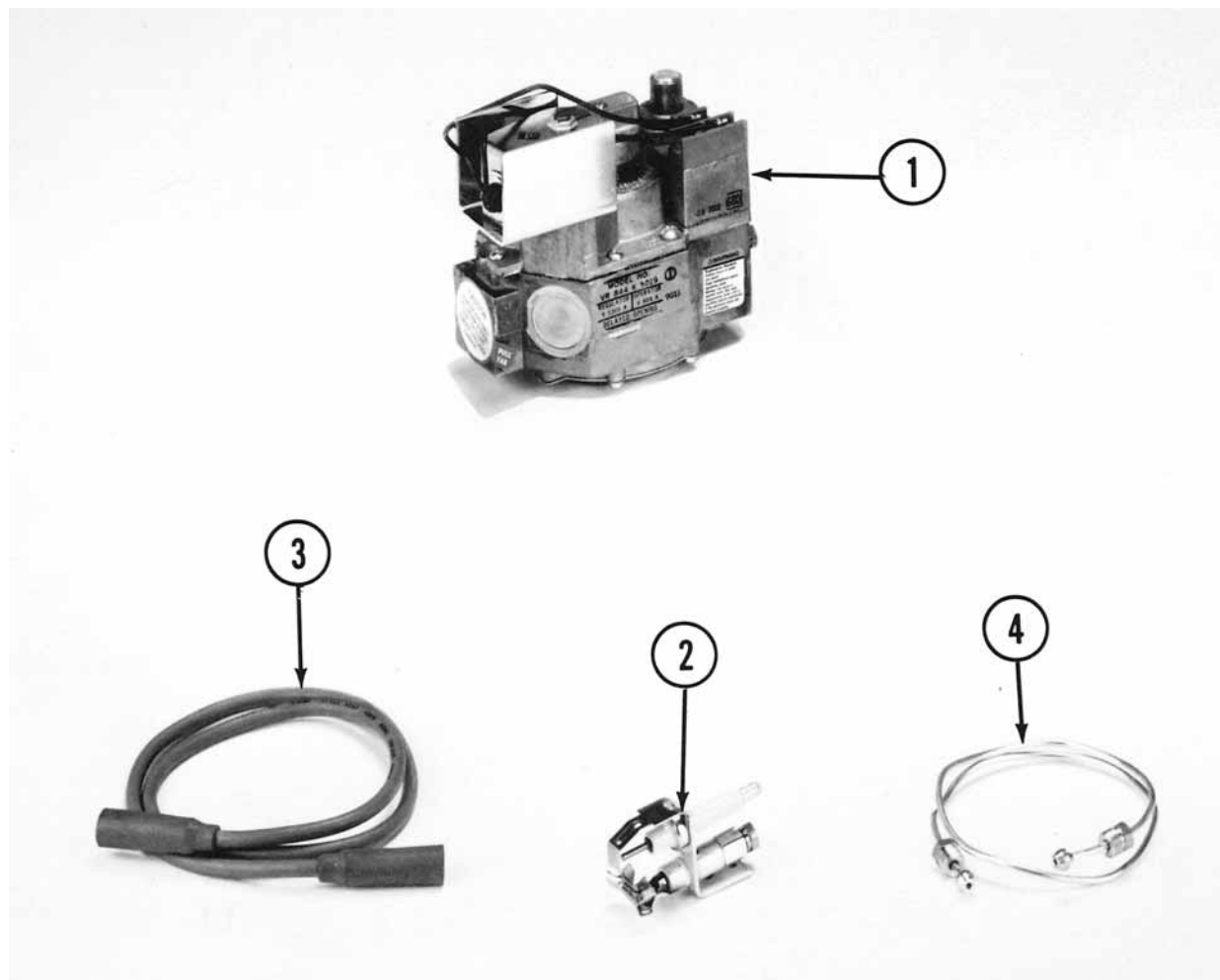
Fig. No.	Part No.	Description	Mfr.	Mfr.'s. Part No.	Boiler Size
1N	511-044-286	*Combination Gas Control Valve, 3/4" X 1" N.P.T., 24 Volt, Natural Gas	Robertshaw	7000DERHC-S7C	85,95
1N	511-044-287	*Combination Gas Control Valve, 1" X 1" N.P.T., 24 Volt, Natural Gas	Robertshaw	7000DERHC-S7C	105,115,125
2■	511-330-218	Pilot Burner with Ignition-Sensing Electrode, Cable and Natural Gas Orifice	Precision Equipment	PSE-NA16	ALL
2■	511-330-218	Pilot Burner with Ignition-Sensing Electrode, Cable and Natural Gas Orifice	Johnson	Q30GE-1	ALL
3	560-742-865	Pilot tubing, 1/8" X 34" Long, with Compression Fittings	Weil-McLain		ALL
4■	511-330-095	Ignition-Sensing Control Module with Molex Connector, 24 Volt Internal Fuse	Honeywell	S8620C-1011	ALL
4■	511-330-095	Ignition-Sensing Control Module with Molex Connector, 24 Volt Internal Fuse	United Technologies	1003-510	ALL
	510-811-457	Conversion Kit from G-60 PAK, G-60 PFL, S86D, S86H, S8620, Robertshaw Cycle Pilot, to Universal Control System (UCS), without Gas Valve (Includes UCS Module, Wiring, and Instructions)	Weil-McLain		All

■ Alternate Components

N denotes Natural Gas

\* Combination Gas Control Valve includes Manual Gas Cock Knob, Redundant Gas Valve, Main Pressure Regulator, Pilot Take-off, and Pilot Adjustment

## EGH Series 3 Intermittent Ignition Honeywell



### APPLICABLE FOR WATER OR STEAM BOILERS WITH OR WITHOUT TANKLESS HEATERS

Fig. No.	Part No.	Description	Mfr.	Mfr.'s. Part No.	Boiler Size
1N	511-044-286	*Combination Gas Control Valve, 3/4" X 1" N.P.T., 24 Volt, Natural Gas	Robertshaw	7000DERHC-S7C	85,95
1N	511-044-287	*Combination Gas Control Valve, 1" X 1" N.P.T., 24 Volt, Natural Gas	Robertshaw	7000DERHC-S7C	105,115,125
2	511-330-170	Combination Pilot Burner with Ignition-Sensing Electrode and Natural Gas Orifice	Honeywell	Q348A1002	ALL
3	591-391-799	Ignition-Sensing Cable, 72" Long	Honeywell	L3257	ALL
4	560-742-865	Pilot Tubing, 1/8" O.D. Aluminum X 34" long, with Compression Fittings	Weil-McLain		ALL
	510-811-457	Universal Control System (UCS) Conversion Kit, without Gas Valve (Includes Module, Wiring, Pilot Burner Assembly and Instructions)	Weil-McLain		ALL

N denotes Natural Gas

\* Combination Gas Control Valve includes Manual Gas Cock Knob, Redundant Gas Valve, Main Pressure Regulator, Pilot Take-off, with Pilot Filter and Pilot Adjustment