

LGB Boiler

Jacket Instructions

STANDARD CARTON INCLUDES:

- Front Right Side Panel
- Back Right Side Panel
- Front Left Side Panel
- Back Left Side Panel
- Support Brackets
- Rear Stiffener and Fillers
- Screws, 10 x 1/2 (Mounting Brackets)
- Screws, 10-32 x 1/2 (Jacket)

413-300-002 thru -011 CARTONS

- INCLUDES:**
- Crosstie
 - Doors
 - Top Panel
 - Back Panel
 - Interior Panel
 - Interior Panel Brackets
 - Hex Nuts, 5/8-11

SPLICE CARTON INCLUDES:

- Front Splice
- Top Splice
- Top Back Splice
- Bottom Back Splice
- Interior Panel Splice
- Front Splice Bracket
- Back Splice Bracket
- Screws, 10 x 1/2 (Mounting Brackets)
- Screws, 10-32 x 1/2 (Jacket)

A. Before installing jacket

1. Follow the instructions in this section to install all jacket panels.
 - Boiler hydrostatically pressure-tested. See pages 12 & 13.
2. These parts must be on boiler:
 - Plugs for unused tappings installed. (See Control Tapping Tables, pages 12 & 13.)
 - Cleanout plates. See page 14.
 - Horizontal collector hood installed. See page 15.
3. These parts may be on boiler:
 - Supply and return piping installed. See pages 16 -20.
 - Gas control assembly
 - Compression tank piping
 - Pilot line tubing
4. These parts must be off boiler:
 - Horizontal draft hood
 - Relief valves
 - Combination Pressure-Temperature gauge
 - Steam or water gauges
 - Limit control
 - Low water cutoff
 - Gauge glass cocks and gauge glass
 - Siphon
 - Tri-cocks (if used)
 - Drain cock
 - Gas supply piping
 - Control tray

⚠ WARNING The boiler contains ceramic fiber and fiberglass materials. Use care when handling these materials per instructions on page 28 of this manual. Failure to comply could result in severe personal injury.

B. Remove required jacket knock-out discs.

(See Control Tapping Tables in boiler manual, pages 12 & 13.)

C. Remove required jacket parts from cartons

(Follow instructions below. Refer to Figures 1 & 2.)

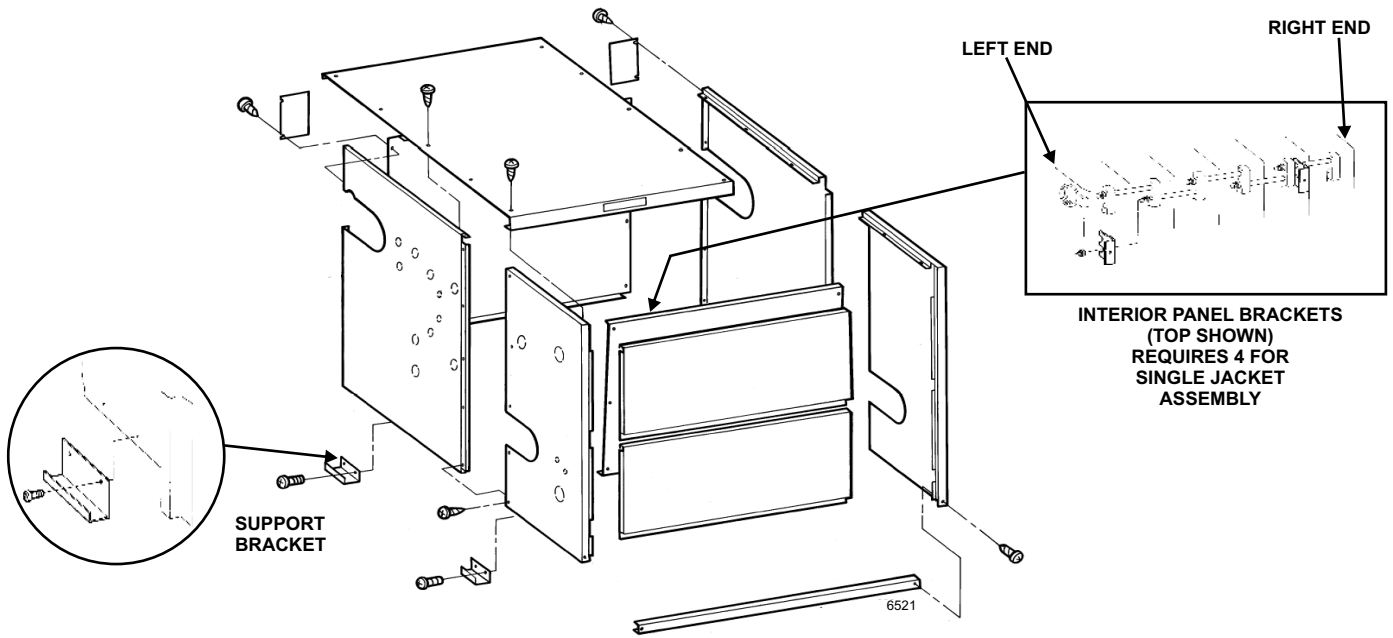
1. Locate jacket cartons.
2. Remove jacket parts from cartons as needed. Leave in cartons as long as possible to avoid damage.
3. Refer to Jacket Arrangement Table.

4. Attach interior panel brackets to top and bottom draw rods on front of boiler, as shown in Figure 1 or 2, page 2. **DO NOT** loosen nuts on draw rods. Additional 5/8-11" nuts provided in kit. See drawing inset.
5. Attach support brackets to sides of base and base back panel (when required).
6. Install front interior panel, splice set (when used), sides, back, top, and crosstie.

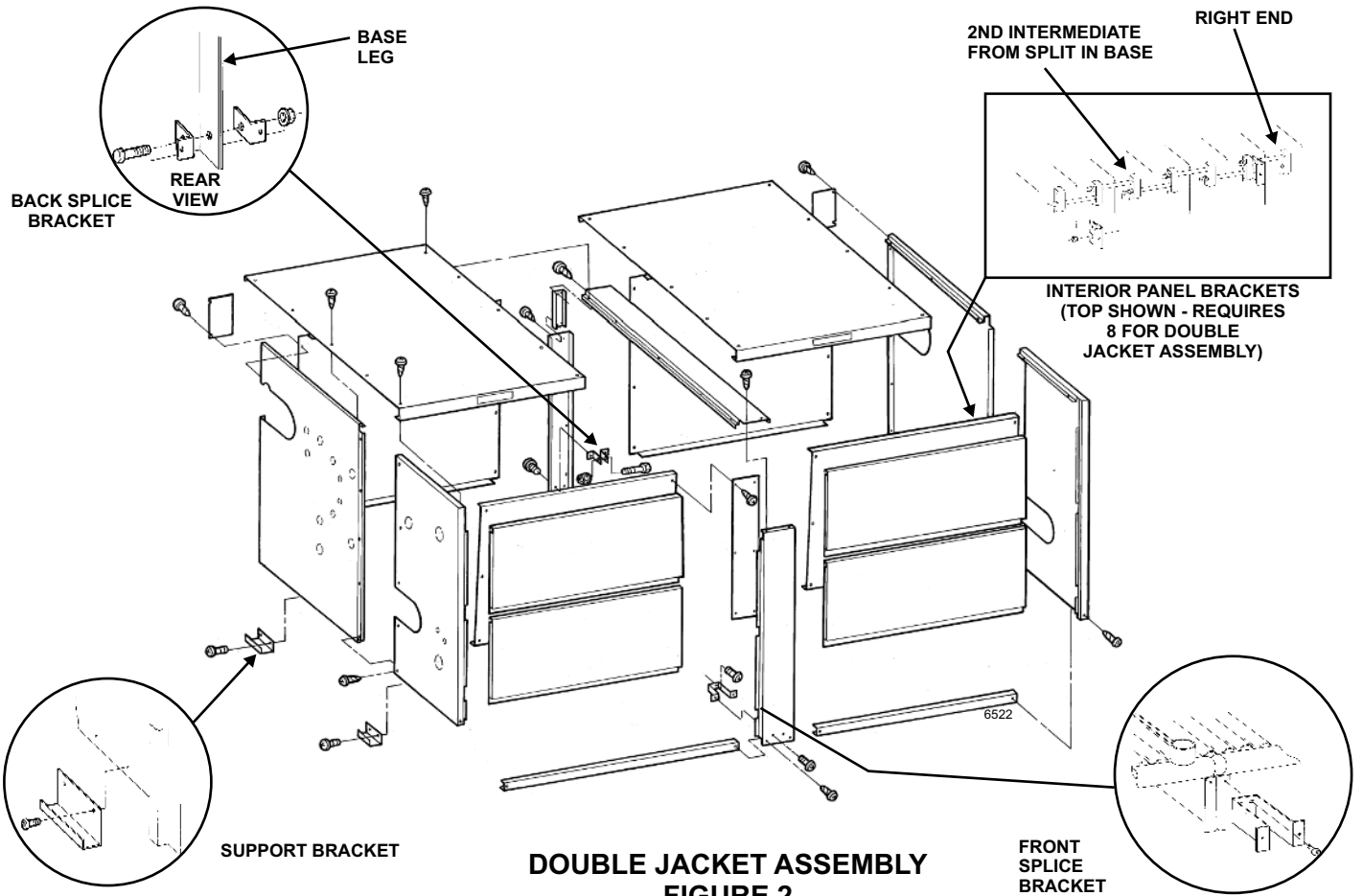
JACKET ARRANGEMENT TABLE

Boiler Size	Standard Carton 413-300-001	Additional Cartons	Splice Carton 413-300-009
4	1	(1) 413-300-010	—
5	1	(1) 413-300-011	—
6	1	(1) 413-300-002	—
7	1	(1) 413-300-003	—
8	1	(1) 413-300-004	—
9	1	(1) 413-300-005	—
10	1	(1) 413-300-006	—
11	1	(1) 413-300-007	—
12	1	(1) 413-300-008	—
13	1	(2) 413-300-002	1
14	1	(1) 413-300-003* (1) 413-300-002	1
15	1	(2) 413-300-003	1
16	1	(1) 413-300-004* (1) 413-300-003	1
17	1	(2) 413-300-004	1
18	1	(1) 413-300-005* (1) 413-300-004	1
19	1	(2) 413-300-005	1
20	1	(1) 413-300-006* (1) 413-300-005	1
21	1	(2) 413-300-006	1
22	1	(1) 413-300-007* (1) 413-300-006	1
23	1	(2) 413-300-007	1

* Left side of boiler (front view)



**SINGLE JACKET ASSEMBLY
FIGURE 1**



**DOUBLE JACKET ASSEMBLY
FIGURE 2**



Weil-McLain
500 Blaine Street
Michigan City, IN 46360-2388
<http://www.weil-mclain.com>